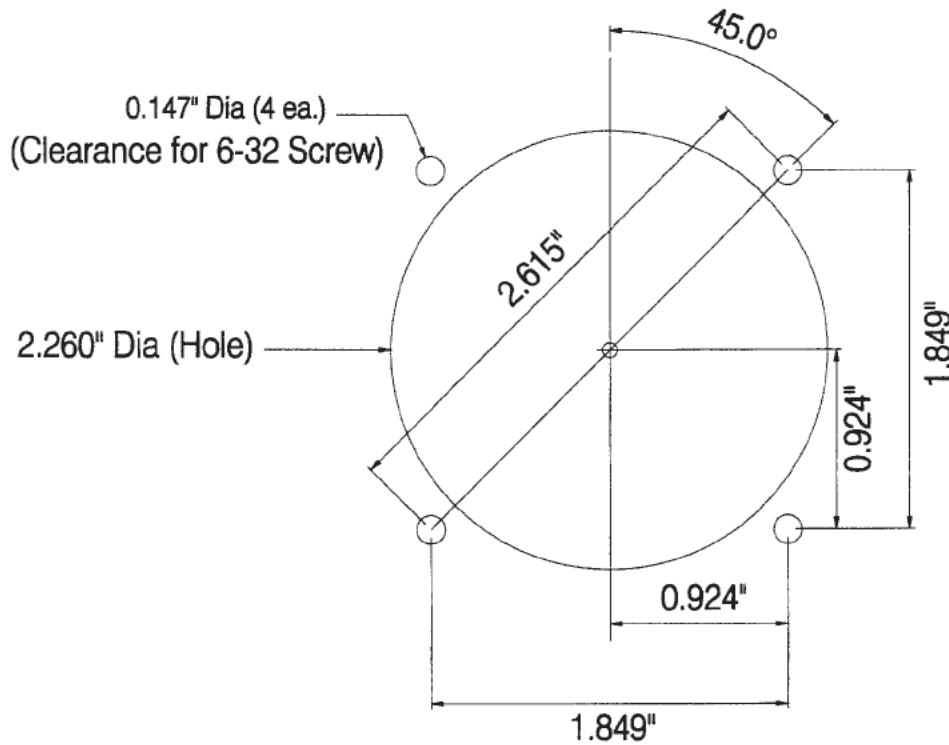


## Template for laying out an Aircraft Panel



*Instruments:*

*Case Size:*

E-1, C-1, A-1, E-1P, T-1P, C-1P, E-2, C-2, EC-1, EC-2, CA-1, EAC-1,  
E-4, E-6, C-4, C-6, VA-1A and VA-1A-xx

2.5" W x 2.5" H x 2.5" Depth

SC-5, ASC-5, FP-5, FP-5L, FL-2CA, FL-2RA-xx, R-1, M-1 and OPT-1

2.5" W x 2.5" H x 3.65" Depth

US-8A and SR-8A

2.5" W x 2.5" H x 5.35" Depth

Note: Use dimensions only, copy and fax machines alter image size.

Note: Recommend mounting instruments 2.655" center to center.

<b>ELECTRONICS INTERNATIONAL INC.</b>		
DATE: <b>8/30/01</b>	DRAWN BY: <b>R.R.</b>	APPVD. BY: <b>HH</b>
SCALE: <b>1:1</b>		REV: <b>A: 8/12/02</b>
TOLERANCE:		P/N:
MATERIAL:		D/N:
NEXT ASSEM:		<b>0830011</b>
TITLE: <b>EC 2 1/4" Face Plate Template</b>		