

Annunciator Light

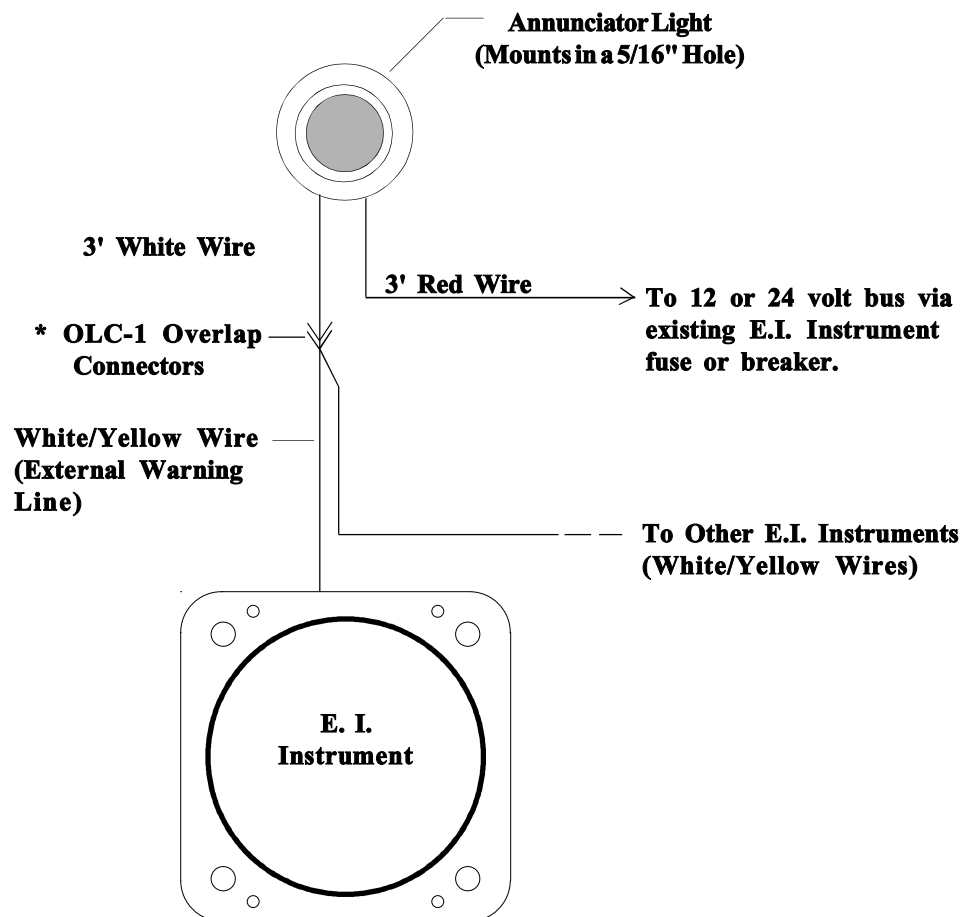
AL-1(X)

0913932

9/13/93

Rev F: 1/11/13

When the Annunciator Light assembly is mounted in front of the pilot, this bright LED gives a quick warning of an out-of-limit condition without having to scan the instrument panel. This single warning light assembly may be connected to one or more E. I. Instruments featuring an External Warning Line (US-8A, SR-8A, R-1, M-1, OPT-1, FP-5, E-1P, T-1P, C-1P, EC-1P, FL-2 etc.). This assembly mounts in a 5/16" hole and measures .4" x 1" depth. It will operate on a 12 or 24 volt system. The "X" in the part number represents the color of the LED (R=Red, G=Green, Y=Yellow, B=Blue, etc.)



* Note: See Over-Lap Connector Instructions for details on installation.

 **Electronics International Inc.** [®] 

63296 Powell Butte Hwy • Bend, OR 97701 • Sales: (541) 318-6060 • Fax: (541) 318-7575
Visit us on the Web: www.Buy-EI.com